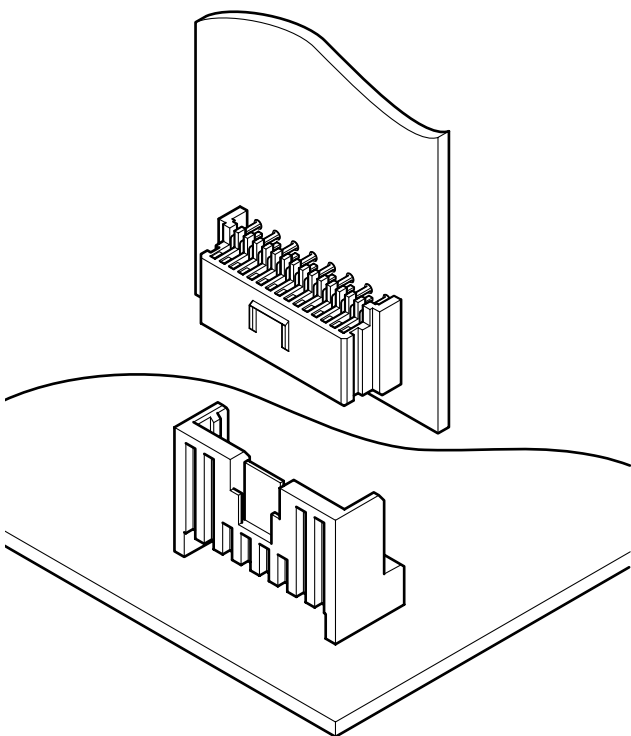


# JET CONNECTOR

Self-supporting style Board-to-board Connectors



**Self-supporting style board to board connectors. Both plugs and receptacles are supplied radial-tape mounted (conforming to JIS C 0805 tape specification), which can be mounted by versatile, radial component pick and place machines. Automatic mounting is possible up to 15 circuits.**



## Features

- **Good connection is assured even after severe shock & vibration**

Because of their construction, even severe shocks and long periods of vibration will not cause circuit interruption. Both secure lock and friction lock connectors are available.

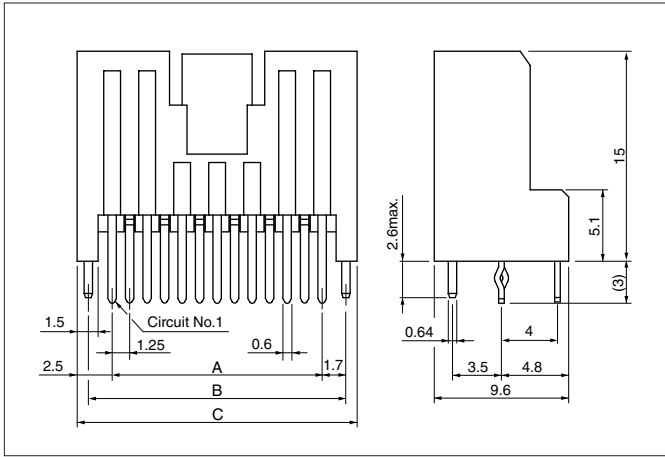
- **Correct and secure mating**

The connector halves can be easily mated, yet have a high retention force because of the housing lock mechanism.

## Specifications

- Current rating: 1.0A AC, DC
- Voltage rating: 50V AC, DC
- Temperature range: -25°C to +85°C  
(including temperature rise in applying electrical current)
- Contact resistance: Initial value/30m Ω max.  
After environmental testing/40m Ω max.
- Insulation resistance: 500M Ω min.
- Withstanding voltage: 500V AC/minute
- Applicable PC board thickness: 1.6mm
- \* Compliant with RoHS.
- \* Refer to "General Instruction and Notice when using Terminals and Connectors" at the end of this catalog.
- \* Contact JST for details.

## Plug



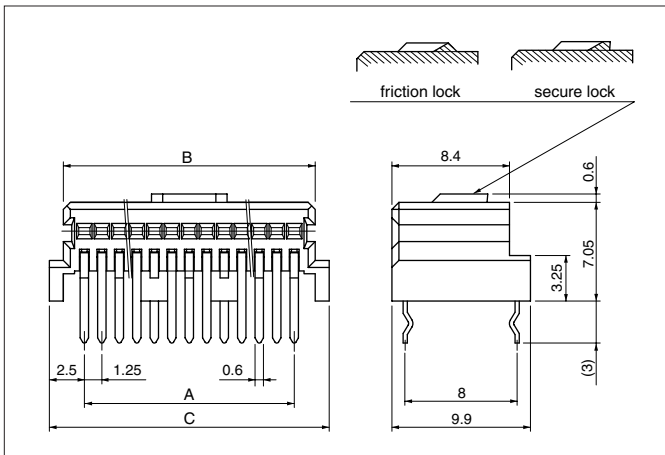
Circuits	Model No.	Dimensions (mm)			Qty / box
		A	B	C	
9	<b>09P-JET</b>	10.0	13.4	15.0	280
15	<b>15P-JET</b>	17.5	20.9	22.5	168

### Material and Finish

Contact: Brass, copper-undercoated, tin-plated(reflow treatment)  
Housing: Glass-filled PA 66, UL94V-0

**RoHS compliance** This product displays (LF)(SN) on a label.

## Receptacle



Circuits	Model No.		Dimensions (mm)			Qty / box
	friction lock type	secure lock type	A	B	C	
9	<b>09R-JET-F</b>	<b>09R-JET-P</b>	10.0	13.0	15.0	420
15	<b>15R-JET-F</b>	<b>15R-JET-P</b>	17.5	20.5	22.5	392

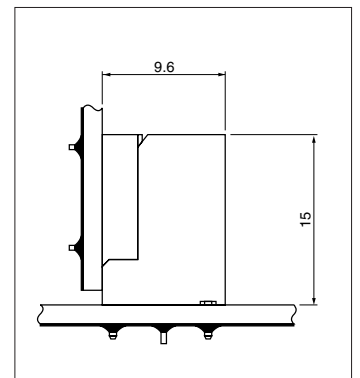
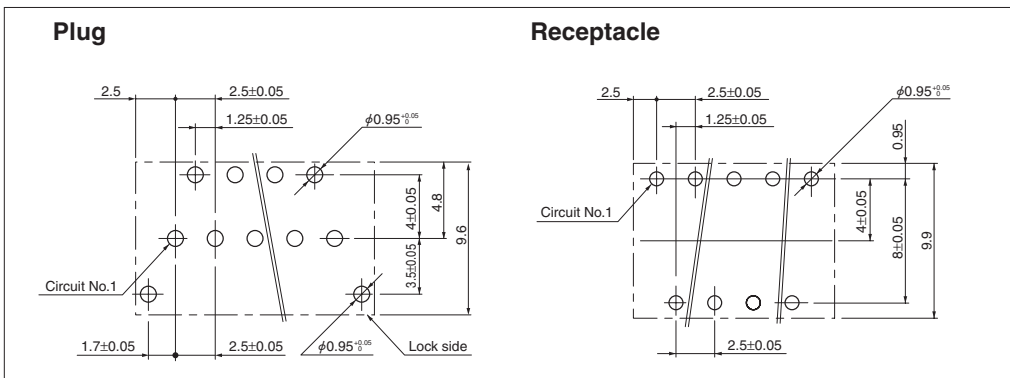
### Material and Finish

Contact: Phosphor bronze, copper-undercoated, tin-plated(reflow treatment)  
Housing: Glass-filled PA 66, UL94V-0

**RoHS compliance** This product displays (LF)(SN) on a label.

## PC board layout (viewed from component side)

## Assembly layout



### Note:

1. Tolerances are non-cumulative:  $\pm 0.05\text{mm}$  for all centers.
2. Hole dimensions differ according to the kind of PC board and piercing method. The dimensions above should serve as a guideline. Contact JST for details.