

127×127×38 mm

San Ace 127 9E type   


General Specifications

- Material Frame: Aluminum, Impeller: Plastic (Flammability: UL 94V-0)
- Expected life See the table below. (L10 life: 90% survival rate for continuous operation in free air at 60°C, rated voltage)
Expected life at 40°C is for reference only.
- Motor protection function Locked rotor burnout protection, Reverse polarity protection
For details, please refer to p. 614.
- Dielectric strength 50/60 Hz, 500 VAC, for 1 minute (between lead wire conductors and frame)
- Insulation resistance 10 MΩ min. at 500 VDC (between lead wire conductors and frame)
- Sound pressure level (SPL) A-weighted sound pressure level (SPL) at 1 m away from the air inlet.
- Storage temperature -30 to +70°C (Non-condensing)
- Lead wire ⊕Red ⊖Black or Blue Sensor Yellow
- Mass 400 g

Specifications

The models listed below **have a pulse sensor**.

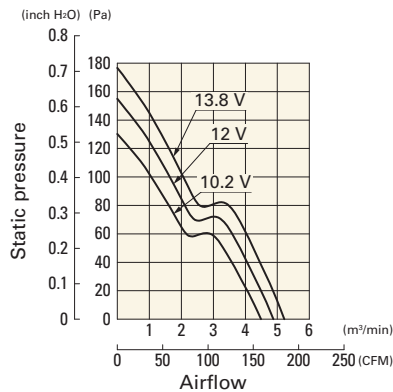
Model no.	Rated voltage [V]	Operating voltage range [V]	Rated current [A]	Rated input [W]	Rated speed [min ⁻¹]	Max. airflow [m ³ /min] [CFM]	Max. static pressure [Pa] [inchH ₂ O]	SPL [dB (A)]	Operating temperature [°C]	Expected life [h]
109E1312A101	12	10.2 to 13.8	1.4	16.8	3850	4.81 170	155 0.622	52	-20 to +70	60000/60°C (90000/40°C)
109E1312S101			1.2	14.4	3450	4.37 154	125 0.502	49		
109E1324G101	24	20.4 to 27.6	1.1	26.4	4550	5.66 200	216 0.867	57	-20 to +60	40000/60°C (70000/40°C)
109E1324A101			0.7	16.8	3850	4.81 170	155 0.622	52		
109E1324S101			0.53	12.7	3450	4.37 154	125 0.502	49		
109E1348G101	48	40.8 to 55.2	0.54	25.9	4550	5.66 200	216 0.867	57	-20 to +60	40000/60°C (70000/40°C)
109E1348A101			0.36	17.3	3850	4.81 170	155 0.622	52		
109E1348S101			0.28	13.4	3450	4.37 154	125 0.502	49		

Note: Sensor and control options are available for selection. Refer to the table on p. 638.

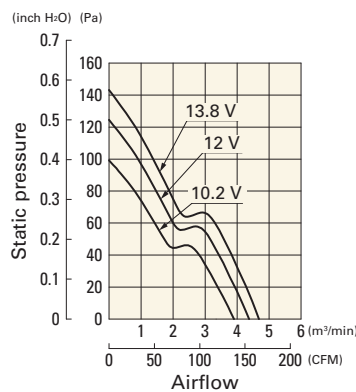
Airflow - Static Pressure Characteristics

109E1312A101 With pulse sensor

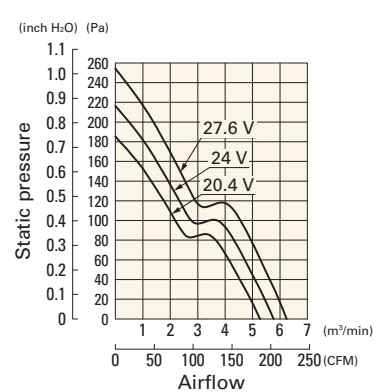
Operating voltage range


109E1312S101 With pulse sensor

Operating voltage range


109E1324G101 With pulse sensor

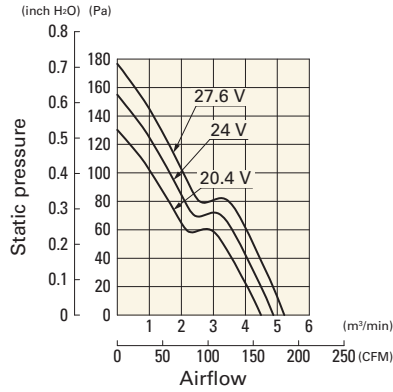
Operating voltage range



Airflow - Static Pressure Characteristics

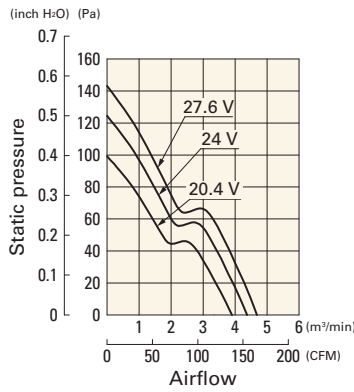
109E1324A101 With pulse sensor

Operating voltage range



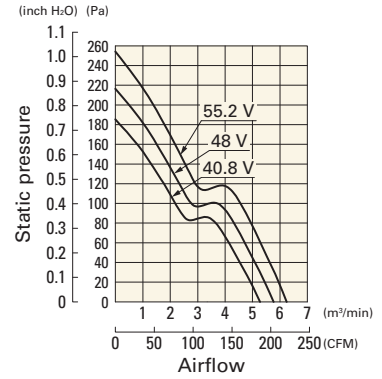
109E1324S101 With pulse sensor

Operating voltage range



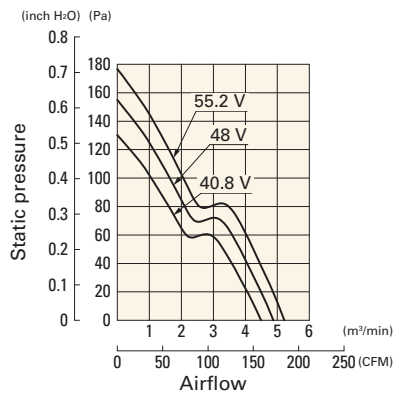
109E1348G101 With pulse sensor

Operating voltage range



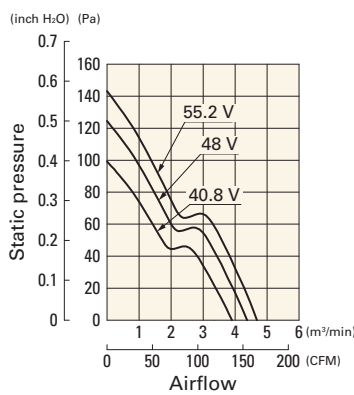
109E1348A101 With pulse sensor

Operating voltage range

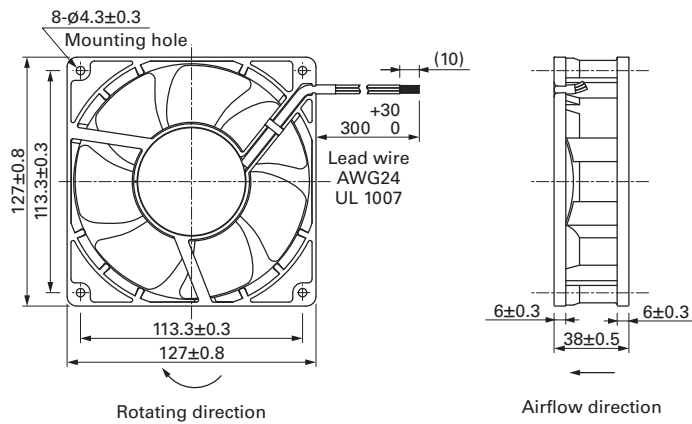


109E1348S101 With pulse sensor

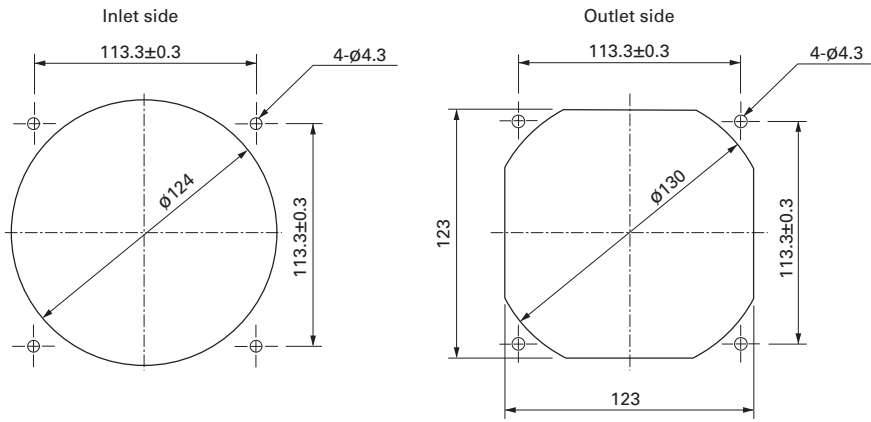
Operating voltage range



Dimensions (unit: mm)



■ Reference Dimensions of Mounting Holes and Vent Opening (unit: mm)



■ Options

Finger guards

page: p. 599

Model no.: 109-722, 109-722H