

4600-4400 series

Toggle switches



DISTINCTIVE FEATURES

- High current/voltage rating in a small case
- Butt action contacts
- Insulated or metal lever
- UL, CSA and VDE (EN 61058-1) approved



ELECTRICAL SPECIFICATIONS

- Max. current/voltage rating with resistive load :
4 A 250 VAC - 6 A 125 VAC
- Approved electrical ratings : see table below
- Initial contact resistance : 10 mΩ max.
- Insulation resistance : 1,000 MΩ min. at 500 VDC
- Dielectric strength :
2,000 Vrms 50 Hz min. between terminals
2,500 Vrms 50 Hz min. between poles and between terminals and frame
- Electrical life : 10,000 cycles at full load

Approvals	Models	Poles	Functions	Approved Ratings
UL/CSA	4600A	1-2	1-6-9	3 A 250 VAC - 6 A 125 VAC
VDE (EN 61058-1)	4400A	1-2	1-6	4(2) A 250 VAC
	4600A	1-2-3	1-6	4(2) A 250 VAC



GENERAL SPECIFICATIONS

- Torque : 0.95 Nm (.70 Ft.lb) max. applied to nut
- Panel thickness : 5 mm (.196) between 2 nuts
- Operating temperature : -20 °C to +55 °C (-40 °F to +131 °F)
- Hand soldering : 270 °C (518 °F) max. for 10 seconds max. - iron Ø3 (.118)



MATERIALS

- Case : melamine phenolic
- Actuator : - insulated : polyamide 6-6
- non-insulated : brass, nickel plated
- Bushing : - insulated : polyamide 6-6
- non-insulated : brass, nickel plated
- Contacts : silver

APEM products may be recycled at end-of-life for the re-claiming of valuable metal components.

The company reserves the right to change specifications without notice.



4600-4400 series

Toggle switches

AGENCY APPROVALS



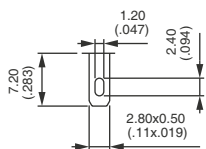
EN 61058-1

Availability : see above chart.

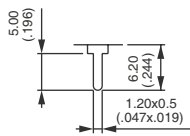
Marking : VDE approved models are standard marked. To order switches marked UL-CSA, complete appropriate box of ordering format.



TERMINALS



Solder lug / quick-connect

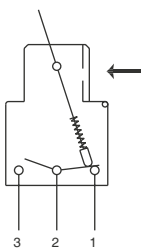


Straight PC

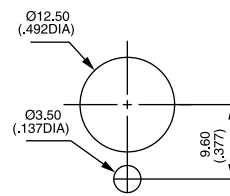
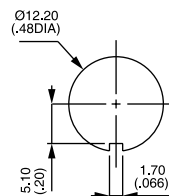
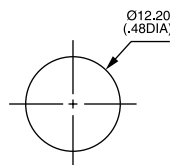


ELECTRICAL FUNCTIONS

→ KEYWAY



PANEL CUT-OUT

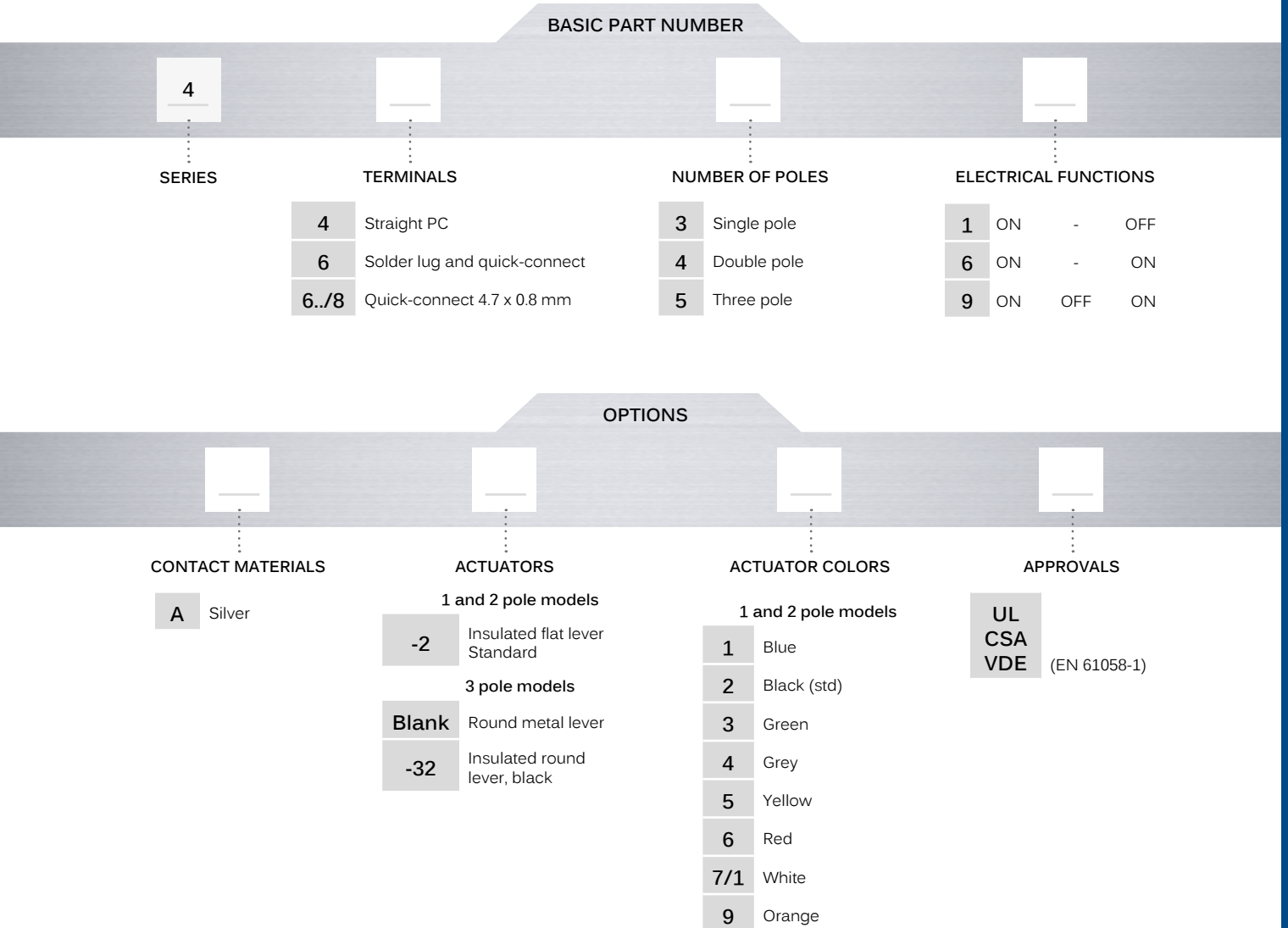


4600-4400 series

Toggle switches



BUILD YOUR PART NUMBER



ABOUT THIS SERIES

On the following pages, you will find successively basic part numbers of switches and options in the same order as in above chart.

- Notice** : please note that not all combinations of above numbers are available. Refer to the following pages for further information.
- Sealing boots** are available on 3 pole models to protect the switches against dust and water. See "Sealing Boot" section of website.
- Mounting accessories** : Standard hardware supplied with all models : 1 hex nut U166 and 1 knurled nut U520 in the same colour as the lever (insulated models) or U411 nickel plated (metal lever models). Standard and special hardware available is presented in the "Accessories" section of website.

4600-4400 series

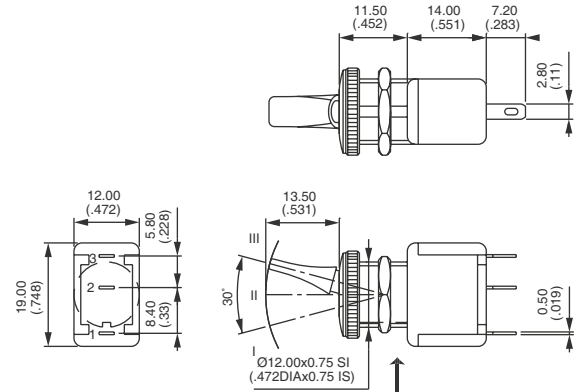
Toggle switches

INSULATED FLAT LEVER - SOLDER LUG/ QUICK-CONNECT TERMINALS - SINGLE POLE



	III	II	I
4631 -2	ON	-	OFF
4636 -2	ON	-	ON
4639 -2	ON	OFF	ON

→ KEYWAY

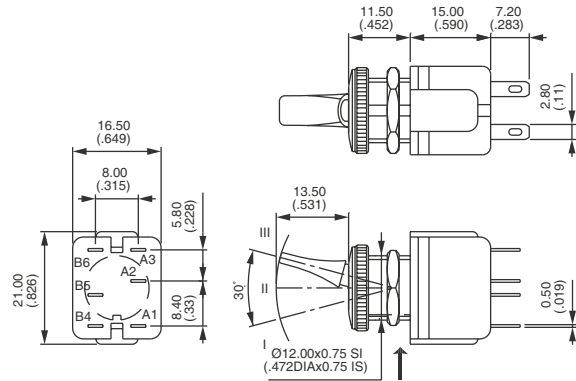


INSULATED FLAT LEVER - SOLDER LUG/ QUICK-CONNECT TERMINALS - DOUBLE POLE



	III	II	I
4641 -2	ON	-	OFF
4646 -2	ON	-	ON
4649 -2	ON	OFF	ON

→ KEYWAY

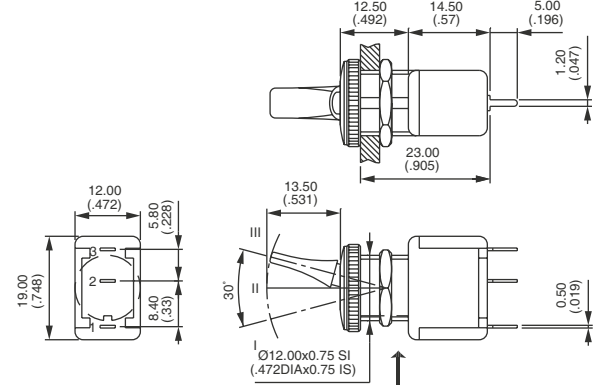


INSULATED FLAT LEVER - STRAIGHT PC TERMINALS - SINGLE POLE



	III	II	I
4431 -2	ON	-	OFF
4436 -2	ON	-	ON
4439 -2	ON	OFF	ON

→ KEYWAY

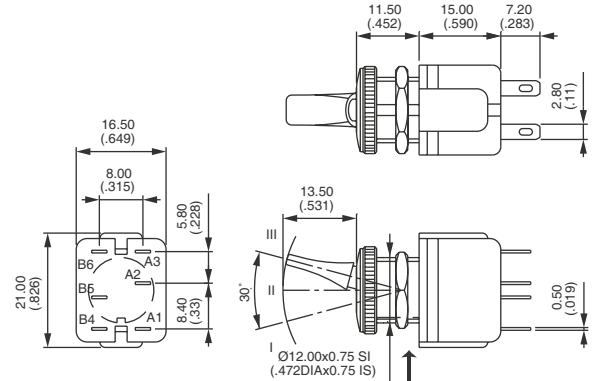


INSULATED FLAT LEVER - STRAIGHT PC TERMINALS - DOUBLE POLE



	III	II	I
4441 -2	ON	-	OFF
4446 -2	ON	-	ON
4449 -2	ON	OFF	ON

→ KEYWAY



4600-4400 series

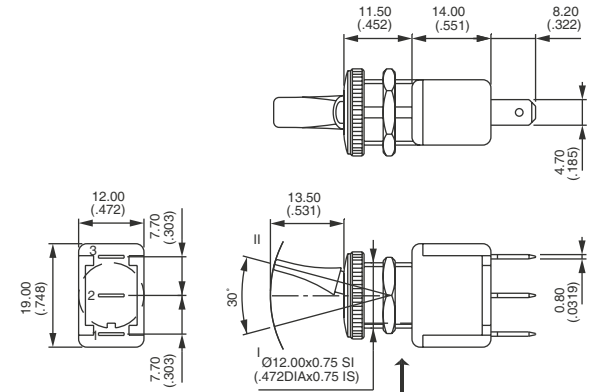
Toggle switches

INSULATED FLAT LEVER - QUICK-CONNECT TERMINALS 4.7 X 0.8 - SINGLE POLE



	I		II
4631/8 -2	ON	-	OFF
4636/8 -2	ON	-	ON

KEYWAY

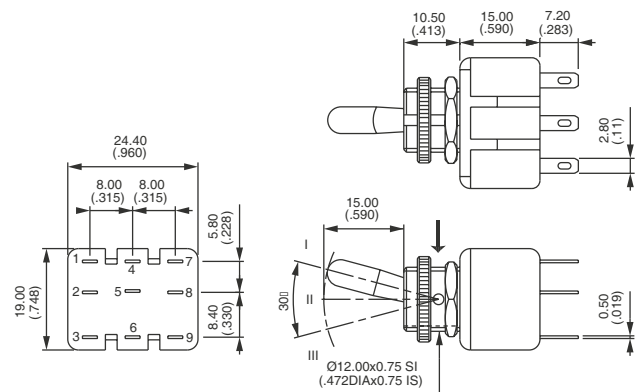


ROUND METAL LEVER - SOLDER LUG TERMINALS - THREE POLE



	III	II	I
4651	ON	-	OFF
4656	ON	-	ON
4659	ON	OFF	ON

KEYWAY

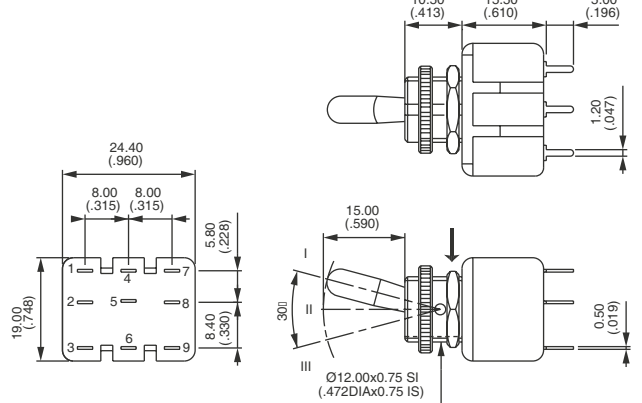


ROUND METAL LEVER - STRAIGHT PC TERMINALS- THREE POLE



	III	II	I
4451	ON	-	OFF
4456	ON	-	ON
4459	ON	OFF	ON

KEYWAY

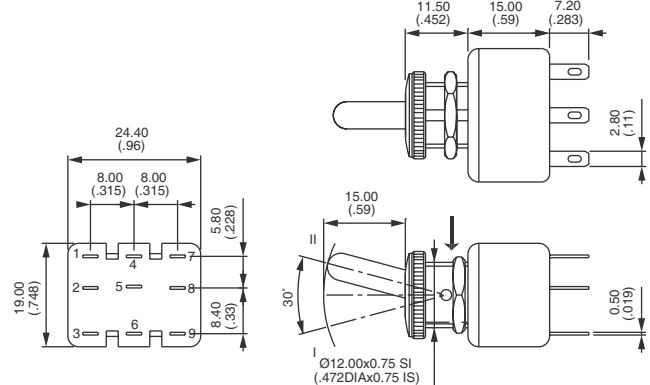


ROUND METAL LEVER -SOLDER LUG TERMINALS - SILVER CONTACTS - THREE POLE



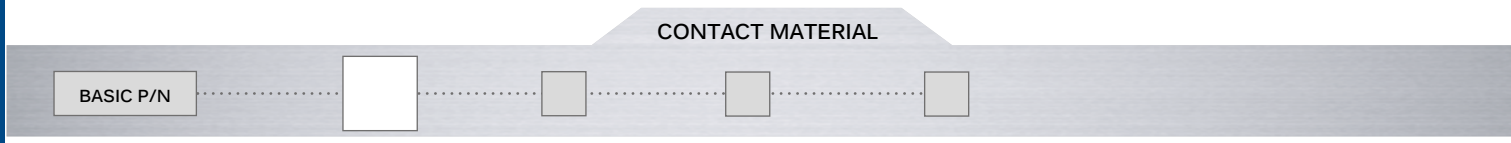
	I		II
4651A-32	ON	-	OFF
4656A-32	ON	-	ON

KEYWAY

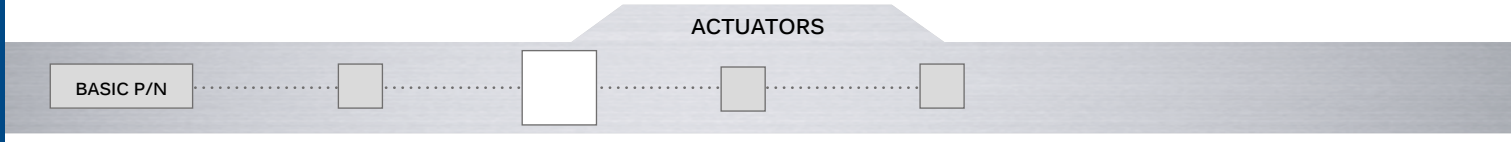


4600-4400 series

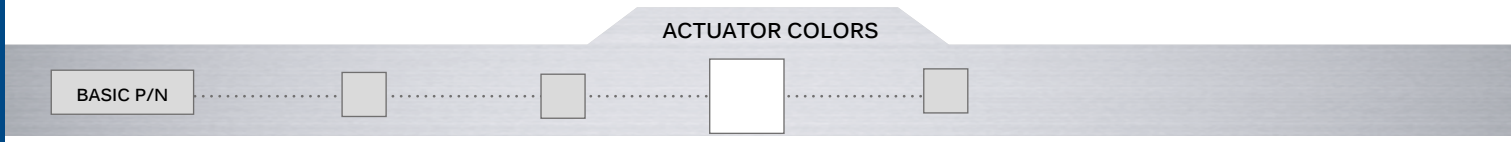
Toggle switches



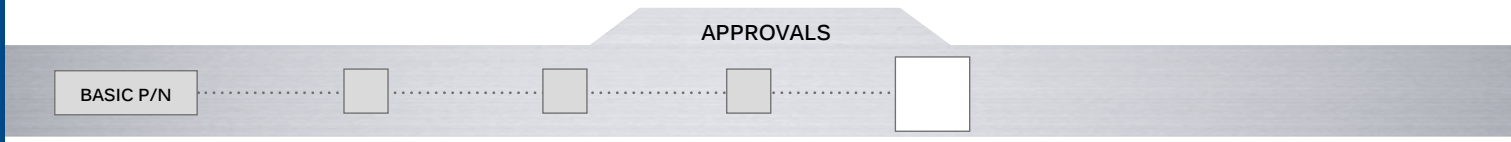
A Silver



- Blank** Round, metal lever for 3 pole only
- 2** Insulated flat lever (for single and double pole only)
- 32** Black insulated round lever (for 3 pole only)



- | | | |
|-----|------------------|--|
| 1 | Blue | For insulated flat lever |
| 2 | Black (standard) | Black : standard color - reduced delivery time |
| 3 | Green | Minimum order of 500 pieces for non-standard colors. |
| 4 | Grey | |
| 5 | Yellow | |
| 6 | Red | |
| 7/1 | White | |
| 9 | Orange | |



UU (UL-CSA) Single and double pole only

Availability : see specifications for details of approved models.
Marking : to order switches marked UL-CSA, complete above box with 'UU'.
 Other approvals available as standard, see specifications.