

60mm sq.

San Ace 60

- 15mm thick (9GA type), 15mm thick (9P type)
- 20mm thick (9GA type), 20mm thick (9P type)
- 25mm thick (9S type), **25mm thick (9G type)**
- 25mm thick (9R type), 25mm thick (San Cooler) (9A type)
- 38mm thick (9GA type), 38mm thick (9GV type)
- 38mm thick (9G type)



General Specifications

- Material Frame: Plastics (Flammability: UL94V-0), Impeller: Plastics (Flammability: UL94V-0)
- Expected Life Refer to specifications (L10:Survival rate:90% at 60°C, rated voltage, and continuously run in a free air state)
- Lead Wire ⊕red ⊖black (Sensor) yellow (Control) brown
- Storage Temperature -30°C to +70°C (Non-condensing)

60×60×25mm (Mass : 90g) **9G type**

Specifications

The following nos. **have PWM controls, pulse sensors, and ribs.** For ribless, append "1" to the model no.

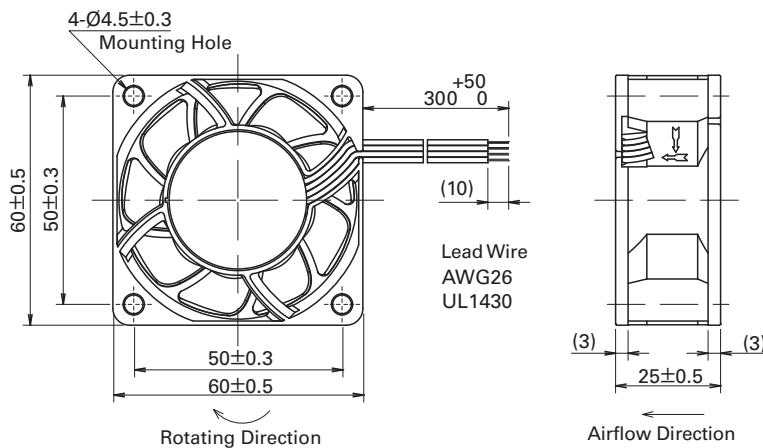
Model No.	Rated Voltage [V]	Operating Voltage Range [V]	PWM duty cycle※ [%]	Rated Current [A]	Rated Input [W]	Rated Speed [min ⁻¹]	Max. Airflow [m ³ /min] [CFM]	Max. Static Pressure [Pa] [InchH ₂ O]	SPL [dB(A)]	Operating Temperature Range [°C]	Expected Life ^{※※} [h]
9G0612P4S001	12	10.2 to 13.8	100	0.67	8.04	11,000	1.4 49.4	300 1.20	53	-20 to +70	40,000/60°C (70,000/40°C)
			0	0.07	0.84	3,300	0.42 14.8	27 0.11	19		
9G0612P4H001			100	0.50	6.00	9,500	1.21 42.7	224 0.90	49		
			0	0.06	0.72	2,850	0.36 12.7	20.2 0.08	18		
9G0624P4S001	24	20.4 to 27.6	100	0.34	8.16	11,000	1.4 49.4	300 1.20	53		
			0	0.04	0.96	3,300	0.42 14.8	27 0.11	19		
9G0624P4H001			100	0.25	6.00	9,500	1.21 42.7	224 0.90	49		
			0	0.04	0.96	2,850	0.36 12.7	20.2 0.08	18		
9G0648P4S001	48	36 to 72	100	0.18	8.64	11,000	1.4 49.4	305 1.22	53		
			0	0.02	0.96	3,300	0.42 14.8	27.4 0.11	19		

Note: Expected life at 40°C ambient is just reference value.

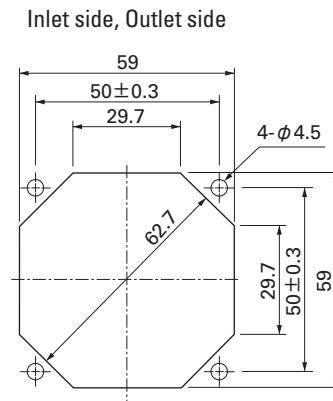
※PWM Frequency : 25kHz

Some models can also be equipped without sensors or with pulse sensors (no PWM control functions) as an option. Please refer to the index (pp. 417 to 437).

Dimensions (unit : mm) (With ribs)



Reference dimension of Mounting Holes and Vent Opening (unit : mm)

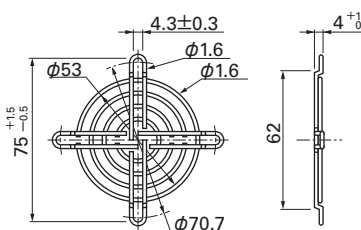


Options (unit : mm)

Finger Guards

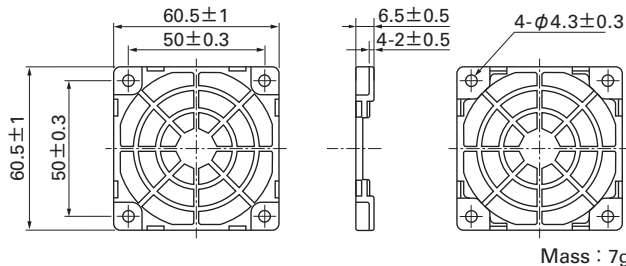
Model : 109-139E Surface treatment : Nickel-chrome plating (silver) Color : 109-139H : Cation electropainting (black)

Inlet side, Outlet side



Resin Finger Guards

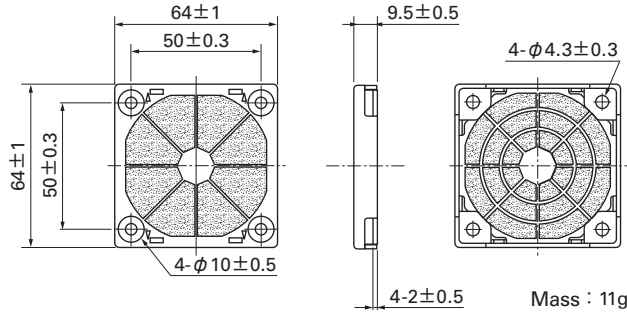
Model : 109-1003G



Options (unit : mm)

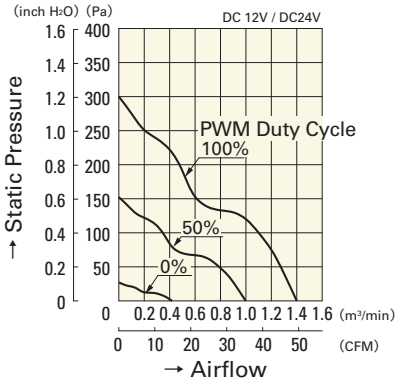
Resin Filter Kits

Model : 109-1003F13 (13PPI), 109-1003F20 (20PPI)
 : 109-1003F30 (30PPI), 109-1003F40 (40PPI)

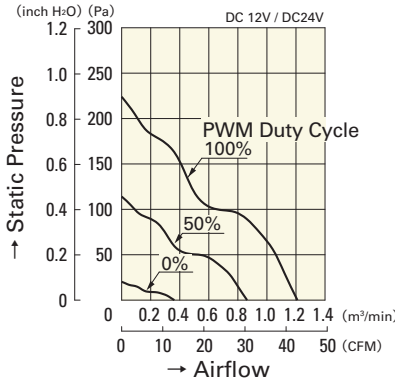


Airflow - Static Pressure Characteristics

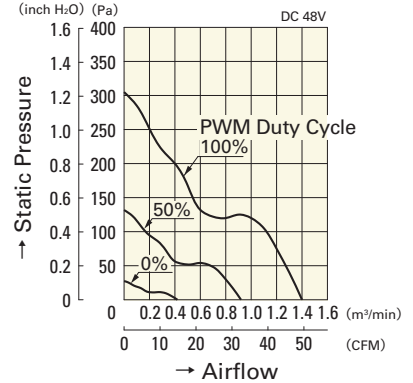
PWM Duty Cycle



9G0612P4S001
9G0624P4S001

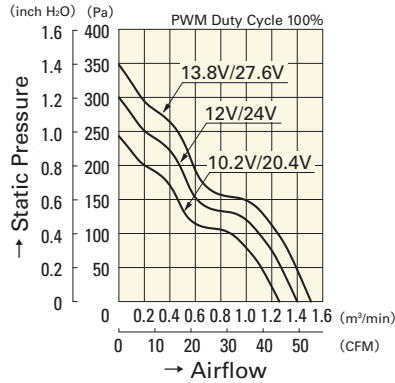


9G0612P4H001
9G0624P4H001

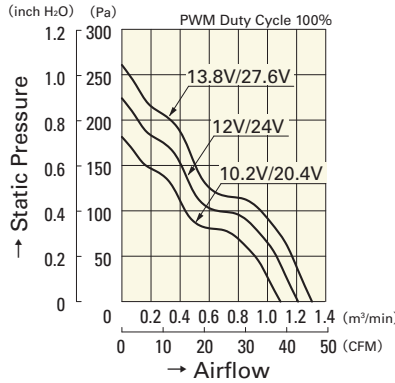


9G0648P4S001

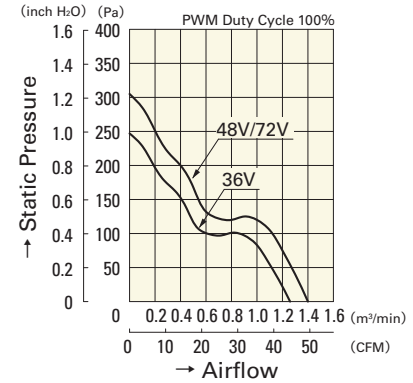
Operating Voltage Range



9G0612P4S001
9G0624P4S001

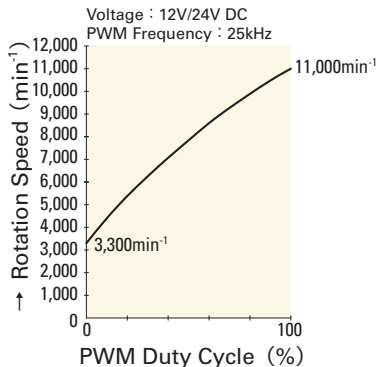


9G0612P4H001
9G0624P4H001

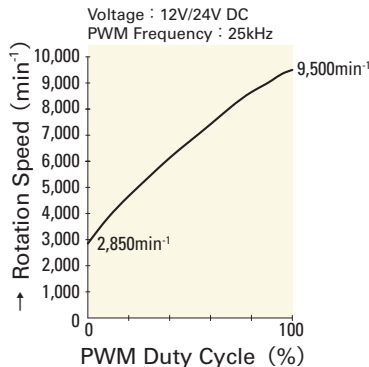


9G0648P4S001

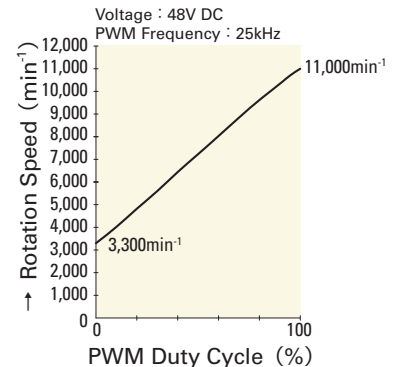
PWM Duty - Speed Characteristics Example



9G0612P4S001
9G0624P4S001



9G0612P4H001
9G0624P4H001



9G0648P4S001