

<b>Data Sheet</b>	<b>AT-3050-TT-R</b>
-------------------	---------------------

**Features:**

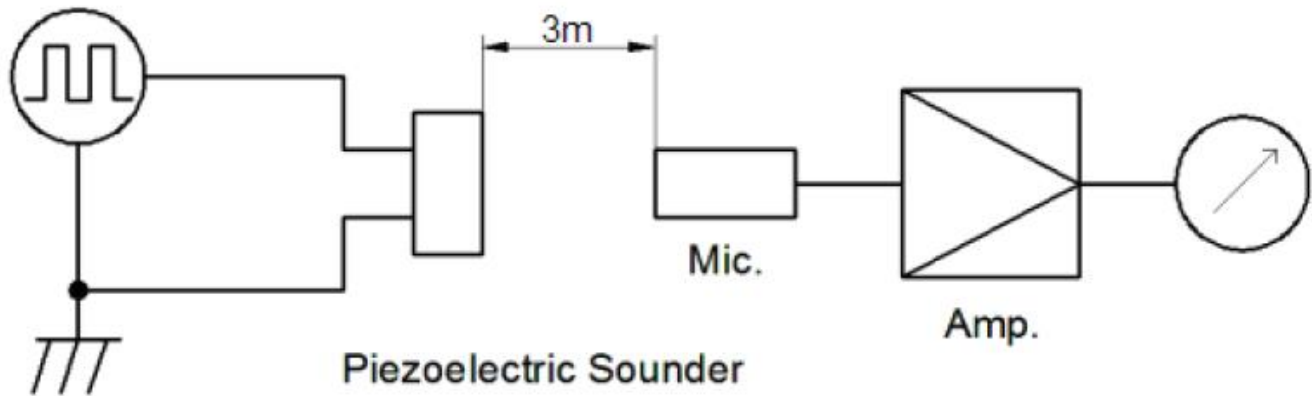
- Designed to withstand 100 Vp-p sine wave and 60 V0-p square wave input
- Able to create more than 90 dBA output at 3 meters
- 4 kHz to 6 kHz bandpass design

**Specifications**

Parameters	Values	Units
Rated Voltage	18	Vp-p
Rated Voltage Range (Sinewave)	1 ~ 85	Vp-p
Max Instantaneous Volts (Sinewave)	100	Vp-p
Rated Voltage Range (Square wave)	1 ~ 50	V0-p
Max Instantaneous Volts (Square wave)	60	V0-p
Minimum SPL @ 10cm/1m/3m*	115/95/90	dBA
Resonant Frequency	5000 ±1000	Hz
Housing Material	PBT + 20% Glass Fiber	-
Weight	3.5	Grams
Acceptable Soldering Methods	Hand Solder, Wave Solder	See Page 3 for details
Environmental Compliances	RoHS	-
Storage Temperature	-40 ~ +85	°C
Operating Temperature	-40 ~ +85	°C

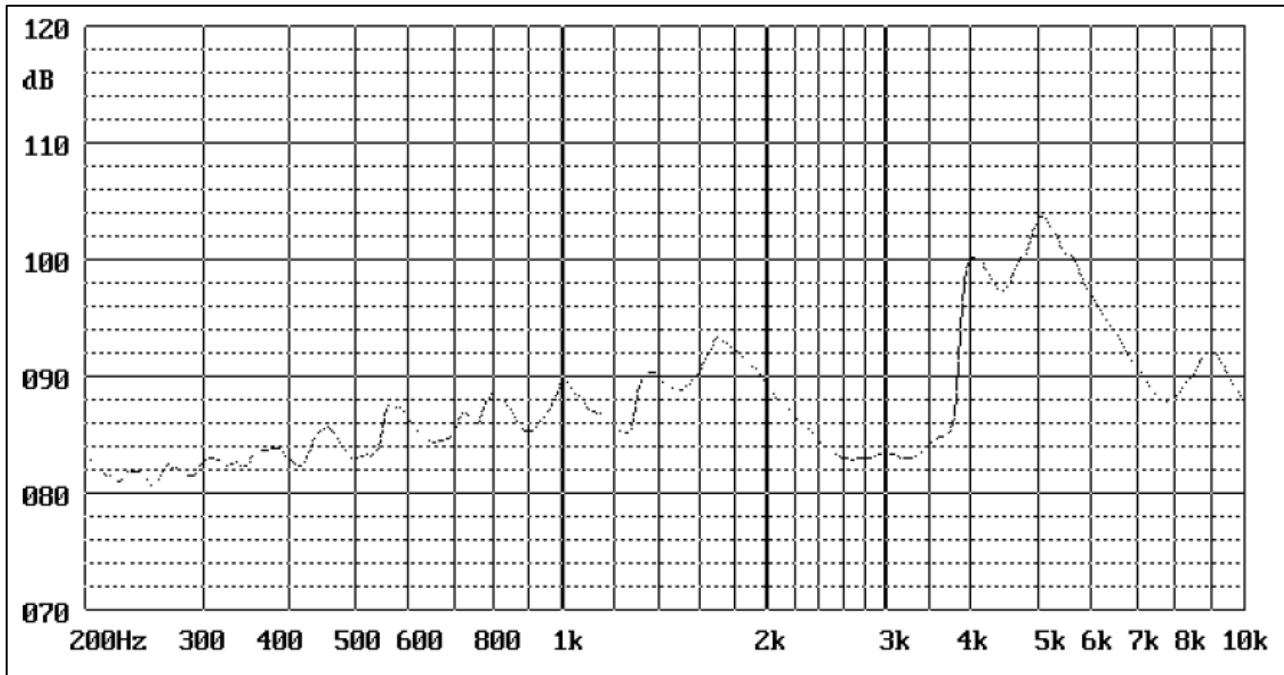
\*At rated voltage

**Test Method**



**MIC: ND10 Sound Meter or equivalent**  
**Signal Generator: DF1641D or equivalent**

## Typical Frequency Response (18 Vp-p sine-sweep with mic spaced at 3m)

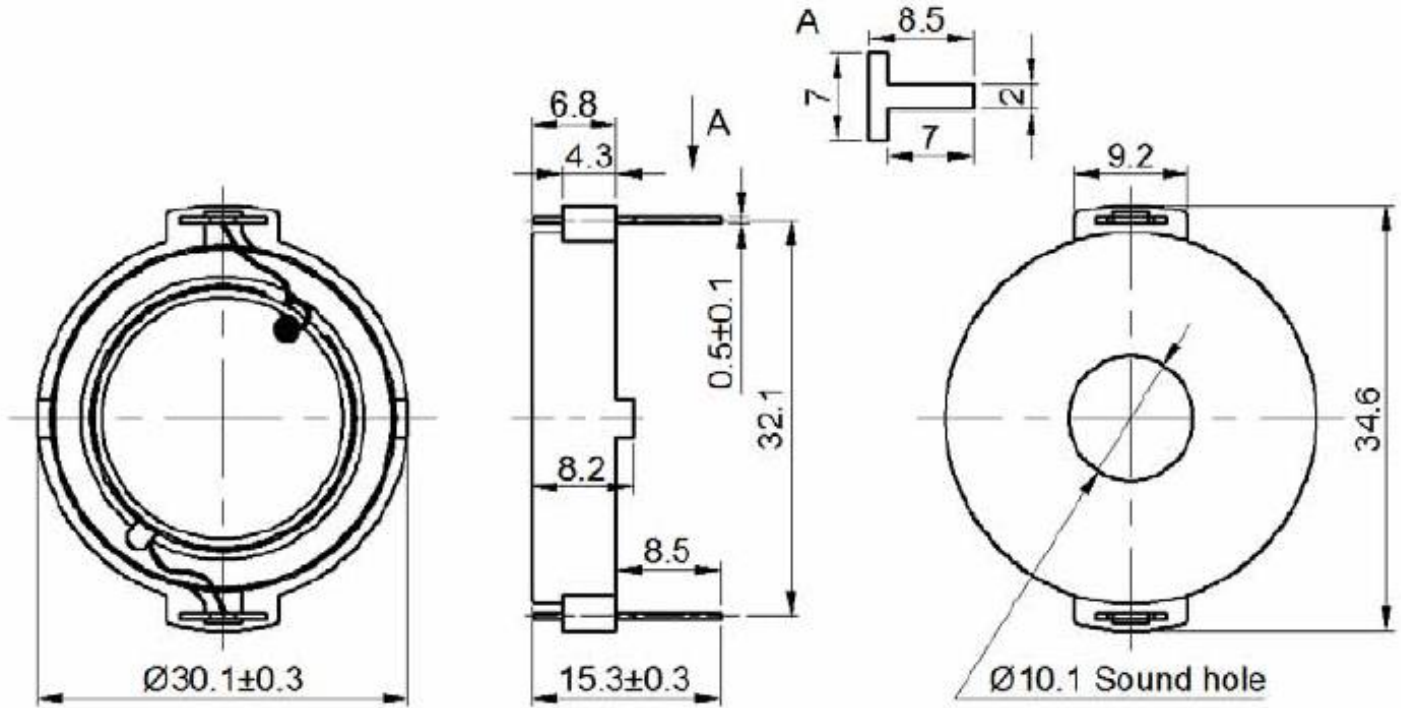


## Reliability Testing

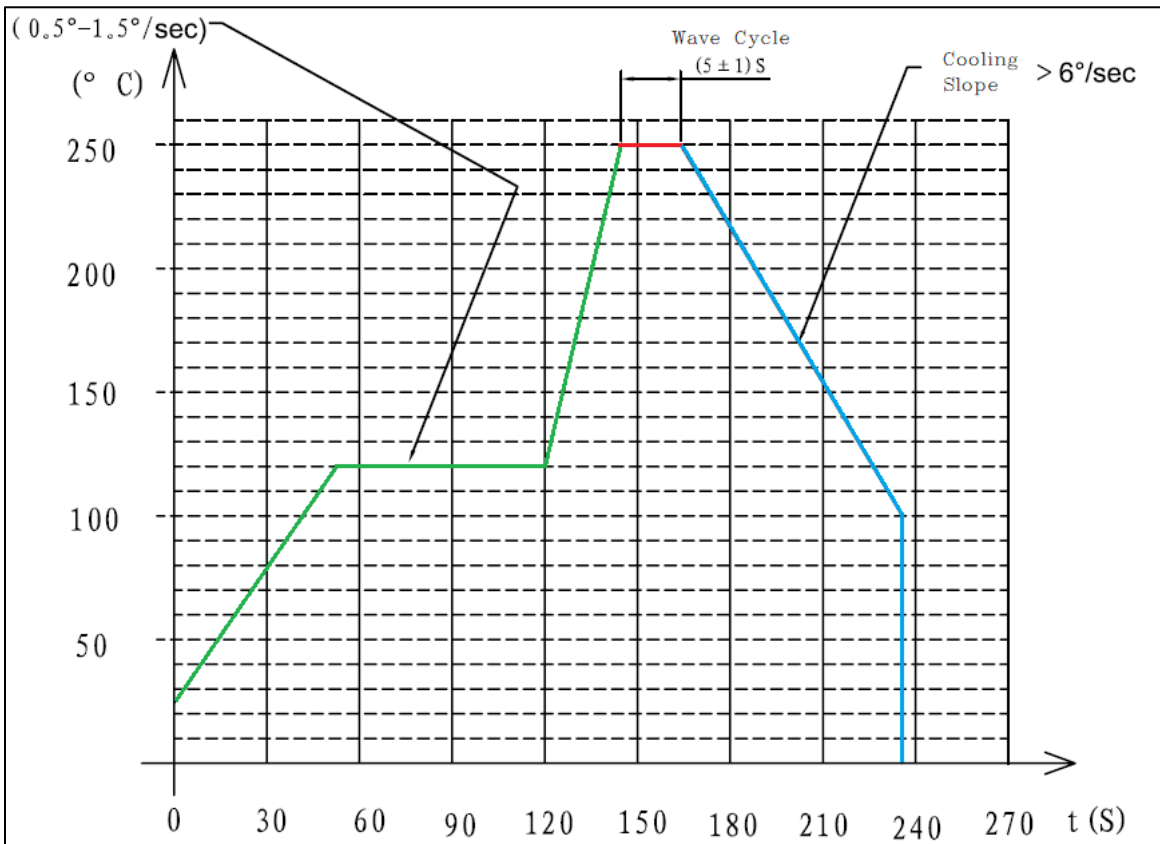
Type of Test	Test Specifications
High Temperature Test	+85±2°C, 96 Hours
Low Temperature Test	-40±2°C, 96 Hours
Humidity Test	40±2°C, 93(+2/-3)% RH for 96Hrs
Temperature Cycle Testing	-40±2°C, 30minutes +20±2°C, 15 minutes +85±2°C, 30 minutes +20±2°C, 15 minutes Total of 5 cycles
Vibration Test	10 to 55 Hz band of vibration frequency to each of 3 perpendicular directions for 2 hrs.
Drop Test	The part shall be dropped from the height of 70cm onto a 10mm thick wooden board; 3 times per axial direction (x, y & z) a total of 9 times.

**After 4 hours at room temperature, the product shall meet specifications. SPL should be within ±10dB compared with initial value.**

**Dimensions** (Units: mm Tolerance:  $\pm 0.5\text{mm}$ )



**Recommended Wave Soldering Procedure**



## **Packaging**

# **TBD**

**Specifications Revisions**

<b>Revision</b>	<b>Description</b>	<b>Date</b>
-	Released from Engineering	4/6/20

**Note:**

1. Unless otherwise specified:
  - A. All dimensions are in millimeters.
  - B. Default tolerances are  $\pm 0.5\text{mm}$  and angles are  $\pm 3^\circ$ .
2. Specifications subject to change or withdrawal without notice.