

AV SERIES SNAP-ACTION SECURITY PB SWITCHES (LIGHTED)

SPECIFICATIONS SUBJECT TO CHANGE WITHOUT NOTICE.

C

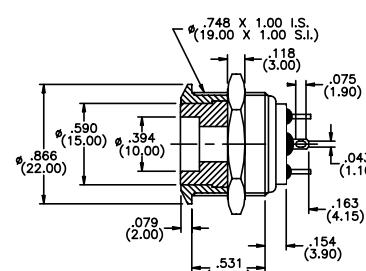
SPECIFICATIONS	FEATURES
<p>Contact ratings: Max.resistive load: 50mA at 24 VDC Initial contact resistance: 100 milliohms max. Insulation resistance: 1000 megohms min. at 500 VDC Dielectric strength: 500 V rms min. between terms. 2000 V rms between terms & bushing Electrical life: 1,000,000 cycles at full load Operating force: 25 oz. ± 7 oz. Travel: .027" (0.7mm) ± .003" (0.1mm) Panel thickness: .039" (1mm) to .433" (11mm) Operating temperature range: -30°C to +70°C Solder heat resistance: 270 °C max. for 3 seconds LED: Consult factory for options & specifications</p>	<ul style="list-style-type: none"> ● .755" (19 mm) dia. models. ● Single pole NO momentary action. ● Illuminated models. ● Standard - sealing protection per IP547 or IP549. ● Optional - sealing protection per IP657 or IP659. ● Extremely rugged and durable.
	MATERIALS
	<p>Contacts: Gold plated dome Terminals: Gold plated brass Bushing & Actuator: Nickel plated brass (std'd) Case: PBT Hex. Mounting Nut: Nickel plated brass</p>

ORDER FORMAT:
 For complete model no., fill in empty boxes with selected options shown below. Example of complete model no. - **AV09C7L3D2006**
 Other Bushing/Actuator materials available - consult factory.

Series	Bush./Act. Config.	Body Style	Function	Cont.Matl.	Term.Type	Bush./Act. Matl.	LED color	Sealing
AV	09	C7L	3	D	2	00	6 (red) 3 (green) 5 (yellow) 2 (red/green)	Blank E K

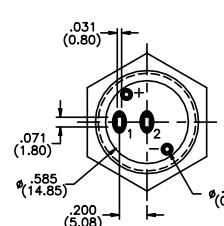
19mm

Bushing/Actuator configurations




09 flat Act. & curved Bush.

Solder lug terminals



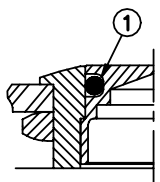
Rear view



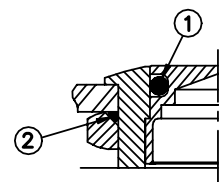
**AV09C7L3D2006
(Model shown)**

Blank - no sealing (std'd)

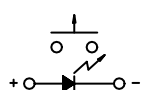
E ① Internal seal meets IP65



K ① Internal seal & ② front panel seals meet IP65

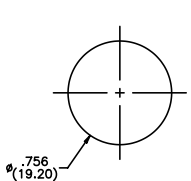


Sealing



Schematic

Min. dimensions for matrix mounting: .984" (25mm) x .984" (25mm).



Mounting Hole

New!

AV SERIES SNAP-ACTION SECURITY PUSHBUTTON SWITCHES

SPECIFICATIONS

Contact ratings: Max. resistive loads: **Q** - 3 A 120 VAC (and life) or 28 VDC, 1.5 A 250 VAC - 10,000 cycles min. Also 1 A 120 VAC or 28 VDC, 0.5 A 250 VAC - 250,000 cycles min. **B** - 0.4 Volt-Amps max at 20 V max. - 250,000 cycles min.

Initial contact resistance: 10 mΩ max. at 3 V, 0.1 A

Insulation resistance: 10,000 megohms min.

Dielectric strength: 1000 V rms min.

Operating temperature range: -30°C to +85°C

For additional specifications: See 400 Series switches

FEATURES

- **.755" (19 mm) dia. models.**
- **Single pole ON-OFF alternate & momentary actions.**
- **Standard - sealing protection per IP547 or IP549.**
- **Optional - sealing protection per IP657 or IP659.**
- **Extremely rugged and durable.**

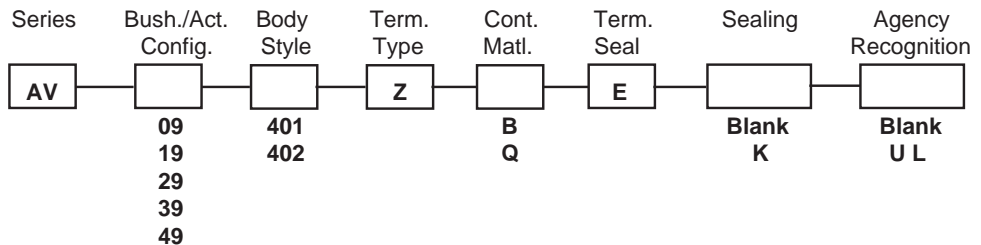
MATERIALS

Contacts: **Q** - Coin silver for power & UL models. **B** - Gold over nickel over brass for dry circuit models.

Bushing & Actuator: Nickel plated brass (std'd)

Case: Diallyl Phthalate **Hex. Mounting Nut:** Nickel plated brass

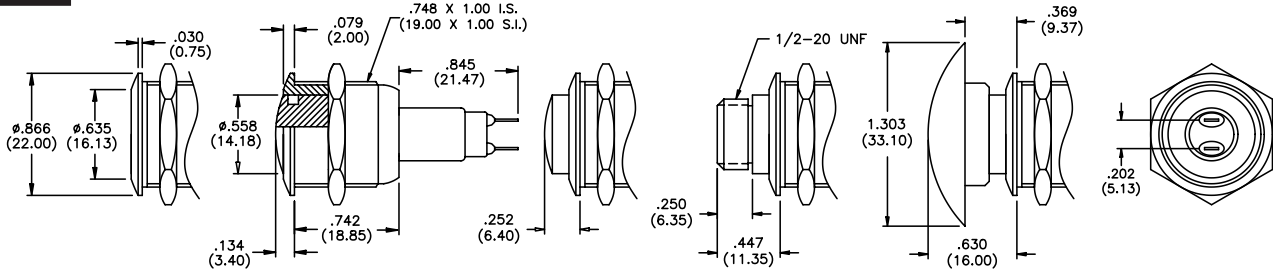
ORDER FORMAT: For complete model no., fill in boxes with selected options shown below. Example of complete model no. - **AV19401ZQEK/UL**



19mm

Bushing/Actuator configuration

Solder lug terminals - (Z)



09 flat Act. & curved Bushing

19 curved Act. & Bushing (standard)

29 extended Act. & curved bushing

39 threaded Act. & curved bushing

49 th'd'd Act. with mushroom cap & curved bushing

Rear view all models

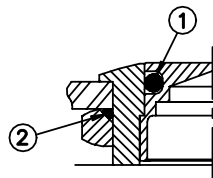


AV19401ZQE/UL
(Model shown)



Schematic

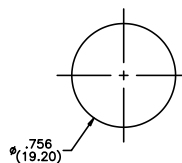
Blank - no sealing (std'd)



K ① Internal seal & ② front panel seals meet IP65

Sealing

Min. dimensions for matrix mounting: .984" (25mm) x .984" (25mm).



Mounting Hole

Notes to Order Format:

401 is alternate action.
402 is momentary action.

401 models have .026" (0.7mm) to contact closure, .106" (2.7mm) travel to activate switch and .137" (3.5mm) total travel.

UL option available only with Q option. UL rating: 1 A 125 VAC or 0.5 A 250 VAC (75% power factor). UL file E66367.

E option is epoxy terminal seal - standard.

SPECIFICATIONS SUBJECT TO CHANGE WITHOUT NOTICE.

New!

AV SERIES SNAP-ACTION SECURITY PUSHBUTTON SWITCHES

SPECIFICATIONS SUBJECT TO CHANGE WITHOUT NOTICE.

C

SPECIFICATIONS	FEATURES
<p>Contact ratings: Max. resistive loads: Q - 6 A 125 VAC, 3 A 250 VAC or 7 A 30 VDC. B - 0.4 Volt-Amps max at 20 V max.</p> <p>Initial contact resistance: 20 mΩ max. at 3 VDC, 0.1 A</p> <p>Insulation resistance: 200,000 megohms minimum between terminals & case ground.</p> <p>Dielectric strength: 1500 VAC min. between terminals and case ground.</p> <p>Electrical life: 60,000 cycles min.</p> <p>Operating temperature range: -30°C to +85°C</p> <p>For additional specifications: See 800 Series switches</p>	<ul style="list-style-type: none"> ● .755" (19 mm) dia. models. ● SPDT and DPDT with NO & NC momentary action. ● Standard - sealing protection per IP547 or IP549. ● Optional - sealing protection per IP657 or IP659. ● Extremely rugged and durable.
MATERIALS	
<p>Contacts: Q - Coin silver for power & UL models. B - Gold over nickel over brass for dry circuit models.</p> <p>Bushing & Actuator: Nickel plated brass (std'd)</p> <p>Case: Diallyl Phthalate Hex. Mounting Nut: Nickel plated brass</p>	

<p>ORDER FORMAT: For complete model no., fill in boxes with selected options shown below. Example of complete model no. - AV19810KMZQK/UL</p>	<table style="width: 100%; border-collapse: collapse;"> <tr> <td style="border: 1px solid black; padding: 2px;">Series</td> <td style="border: 1px solid black; padding: 2px;">Bush./Act. Config.</td> <td style="border: 1px solid black; padding: 2px;">Body Style</td> <td style="border: 1px solid black; padding: 2px;">Term. Type</td> <td style="border: 1px solid black; padding: 2px;">Cont. Matl.</td> <td style="border: 1px solid black; padding: 2px;">Sealing</td> <td style="border: 1px solid black; padding: 2px;">Agency Recognition</td> </tr> <tr> <td style="border: 1px solid black; text-align: center; padding: 5px;">AV</td> <td style="border: 1px solid black; text-align: center; padding: 5px;"> <div style="border: 1px solid black; width: 20px; height: 20px; margin: 0 auto;"></div> <div style="border: 1px solid black; width: 20px; height: 20px; margin: 0 auto;"></div> <div style="border: 1px solid black; width: 20px; height: 20px; margin: 0 auto;"></div> <div style="border: 1px solid black; width: 20px; height: 20px; margin: 0 auto;"></div> </td> <td style="border: 1px solid black; text-align: center; padding: 5px;"> <div style="border: 1px solid black; width: 40px; height: 20px; margin: 0 auto;"></div> <div style="border: 1px solid black; width: 40px; height: 20px; margin: 0 auto;"></div> </td> <td style="border: 1px solid black; text-align: center; padding: 5px;">Z</td> <td style="border: 1px solid black; text-align: center; padding: 5px;"> <div style="border: 1px solid black; width: 20px; height: 20px; margin: 0 auto;"></div> <div style="border: 1px solid black; width: 20px; height: 20px; margin: 0 auto;"></div> </td> <td style="border: 1px solid black; text-align: center; padding: 5px;"> <div style="border: 1px solid black; width: 40px; height: 20px; margin: 0 auto;"></div> <div style="border: 1px solid black; width: 40px; height: 20px; margin: 0 auto;"></div> </td> <td style="border: 1px solid black; text-align: center; padding: 5px;"> <div style="border: 1px solid black; width: 40px; height: 20px; margin: 0 auto;"></div> <div style="border: 1px solid black; width: 40px; height: 20px; margin: 0 auto;"></div> </td> </tr> <tr> <td></td> <td style="text-align: center; padding: 5px;"> 09 19 29 39 49 </td> <td style="text-align: center; padding: 5px;"> 810KM 820KM </td> <td></td> <td style="text-align: center; padding: 5px;"> B Q </td> <td style="text-align: center; padding: 5px;"> Blank K </td> <td style="text-align: center; padding: 5px;"> Blank U L </td> </tr> </table>	Series	Bush./Act. Config.	Body Style	Term. Type	Cont. Matl.	Sealing	Agency Recognition	AV	<div style="border: 1px solid black; width: 20px; height: 20px; margin: 0 auto;"></div> <div style="border: 1px solid black; width: 20px; height: 20px; margin: 0 auto;"></div> <div style="border: 1px solid black; width: 20px; height: 20px; margin: 0 auto;"></div> <div style="border: 1px solid black; width: 20px; height: 20px; margin: 0 auto;"></div>	<div style="border: 1px solid black; width: 40px; height: 20px; margin: 0 auto;"></div> <div style="border: 1px solid black; width: 40px; height: 20px; margin: 0 auto;"></div>	Z	<div style="border: 1px solid black; width: 20px; height: 20px; margin: 0 auto;"></div> <div style="border: 1px solid black; width: 20px; height: 20px; margin: 0 auto;"></div>	<div style="border: 1px solid black; width: 40px; height: 20px; margin: 0 auto;"></div> <div style="border: 1px solid black; width: 40px; height: 20px; margin: 0 auto;"></div>	<div style="border: 1px solid black; width: 40px; height: 20px; margin: 0 auto;"></div> <div style="border: 1px solid black; width: 40px; height: 20px; margin: 0 auto;"></div>		09 19 29 39 49	810KM 820KM		B Q	Blank K	Blank U L
Series	Bush./Act. Config.	Body Style	Term. Type	Cont. Matl.	Sealing	Agency Recognition																
AV	<div style="border: 1px solid black; width: 20px; height: 20px; margin: 0 auto;"></div> <div style="border: 1px solid black; width: 20px; height: 20px; margin: 0 auto;"></div> <div style="border: 1px solid black; width: 20px; height: 20px; margin: 0 auto;"></div> <div style="border: 1px solid black; width: 20px; height: 20px; margin: 0 auto;"></div>	<div style="border: 1px solid black; width: 40px; height: 20px; margin: 0 auto;"></div> <div style="border: 1px solid black; width: 40px; height: 20px; margin: 0 auto;"></div>	Z	<div style="border: 1px solid black; width: 20px; height: 20px; margin: 0 auto;"></div> <div style="border: 1px solid black; width: 20px; height: 20px; margin: 0 auto;"></div>	<div style="border: 1px solid black; width: 40px; height: 20px; margin: 0 auto;"></div> <div style="border: 1px solid black; width: 40px; height: 20px; margin: 0 auto;"></div>	<div style="border: 1px solid black; width: 40px; height: 20px; margin: 0 auto;"></div> <div style="border: 1px solid black; width: 40px; height: 20px; margin: 0 auto;"></div>																
	09 19 29 39 49	810KM 820KM		B Q	Blank K	Blank U L																

19mm

Bushing/Actuator configuration

Solder lug terminals - (Z)

09 flat Act. & curved Bushing

19 curved Act. & Bushing (standard)

29 extended Act. & curved bushing

39 threaded Act. & curved bushing

49 th'd'd Act. with mushroom cap & curved bushing

Rear view (820 shown)

<p style="text-align: center;">AV19820KMZQ/UL (Model shown)</p>	<p>Blank - no sealing (std'd)</p>	<p>Min. dimensions for matrix mounting: .984" (25mm) x .984" (25mm).</p>	<p>Notes to Order Format:</p> <p>810KM is SPDT</p> <p>820KM is DPDT</p> <p>UL option available only with Q option. UL rating: 6 A 125 VAC or 3 A 250 VAC (75% power factor). UL file E66367.</p> <p>Epoxy terminal seal is standard on all models.</p>
<p style="text-align: center;">Schematic</p>	<p>K ① Internal seal & ② front panel seals meet IP65</p> <p style="text-align: center;">Sealing</p>	<p>Mounting Hole</p>	