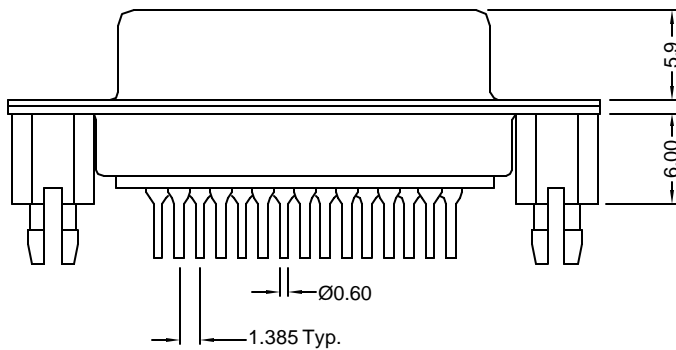
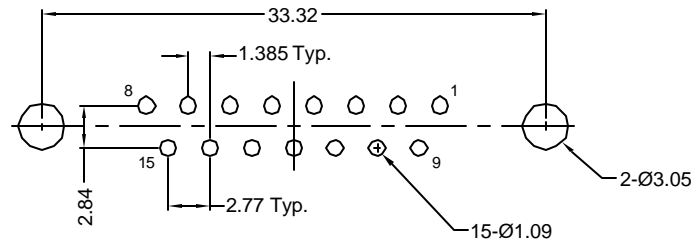
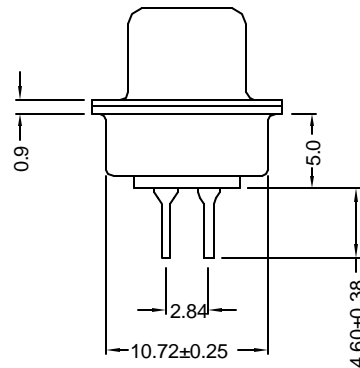


Recommended PCB Layout
(top view)



Boardlock not shown
in this view



Material And Finish

Shell: Steel Material, Tin Plated
Insert: PBT Thermoplastic,
Black Color, 30%
Glass Filled, UL 94V-0 Rated

Contact Material:
Socket - brass

Contact Plating:

- Standard:
Gold flash on mating end,
tin on termination end, with
entire contact nickel underplated
- 15 Option:
15u" gold on mating end,
tin on termination end, with
entire contact nickel underplated
- 30 Option:
30u" gold on mating end,
tin on termination end, with
entire contact nickel underplated

Electrical Specifications

Contact Current Rating: 5A

Rated Voltage: 300V DC

Dielectric Withstanding Voltage:
1000V (rms) AC for 1 minute

Insulation Resistance:
more than 1000 Megohm
at 500V DC

Dielectric Withstanding Voltage-
1000 VAC rms for 1 minute

Contact Resistance:
13 milliohm max.

Operating Temperature
-55°C to +105°C

Ordering Information

Part Number	Contact Area Plating Finish
K85X-AD-15S-BR	Gold Flash (standard)
K85X-AD-15S-BR15	15u" Gold (15 option)
K85X-AD-15S-BR30	30u" Gold (30 option)



Tolerances
X.X ± 0.25
X.XX ± 0.15
Unless Stated Otherwise

REV.	DATE	DESCRIPTION	REV. BY	CHK. BY	DRAWN BY	DATE
A1	02/07/06	New Drawing	R. Aguirre	H. MA	R. Aguirre	02/07/06

K85X-AD-15S-BR

Vertical PCB Mount D-Sub ,RoHS Compliant

15 pos. female w/boardlocks

