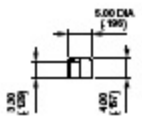
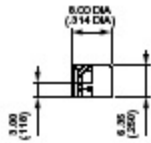
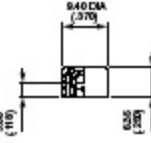
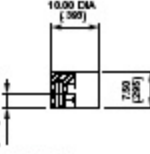
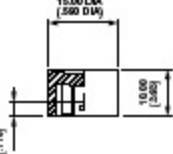
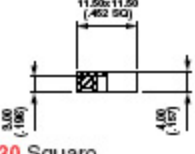
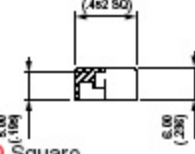


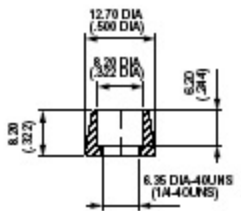
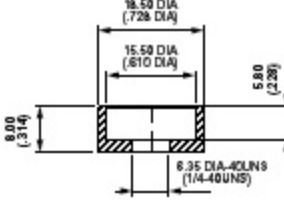
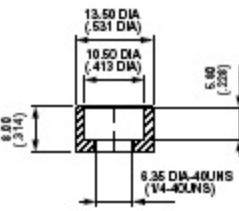
9000 SERIES - MINIATURE MOMENTARY PUSHBUTTON SWITCHES

OPTION DRAWINGS & SPECIAL OPTIONS

CAPS Note: replace last '0' in p/n with color code. (order separately)

 <p>U900</p>	 <p>U1140</p>	 <p>U1720</p>	 <p>U480 Standard</p>																		
 <p>U630</p>	 <p>U2430 Square</p>	 <p>U2020 Square</p>	<table border="1"> <thead> <tr> <th colspan="2">Colors</th> </tr> </thead> <tbody> <tr><td>1</td><td>blue</td></tr> <tr><td>2</td><td>black</td></tr> <tr><td>3</td><td>green</td></tr> <tr><td>4</td><td>grey</td></tr> <tr><td>5</td><td>yellow</td></tr> <tr><td>6</td><td>red</td></tr> <tr><td>7/1</td><td>white</td></tr> <tr><td>9</td><td>orange</td></tr> </tbody> </table>	Colors		1	blue	2	black	3	green	4	grey	5	yellow	6	red	7/1	white	9	orange
Colors																					
1	blue																				
2	black																				
3	green																				
4	grey																				
5	yellow																				
6	red																				
7/1	white																				
9	orange																				

DRESS NUTS Chrome plated. Order separately.

 <p>U1636 (for cap U1140)</p>	 <p>U825 (for cap U630)</p>	 <p>U840 (for cap U480)</p>
---	---	--

SPECIAL OPTIONS

- F** Tin plated terminals (for p.c. terminals only).
- X601** Silver plated brass contacts
 Contact ratings: 0.2A 250VAC, 0.4A 125VAC or 0.5A 30VDC
 Electric life: 20,000 cycles minimum.
 Minimum quantity: 5,000 pieces.

SPECIFICATIONS SUBJECT TO CHANGE WITHOUT NOTICE

C