

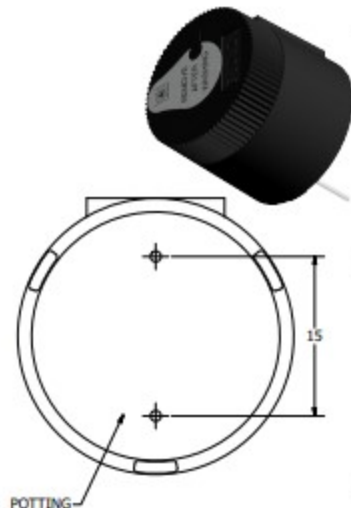
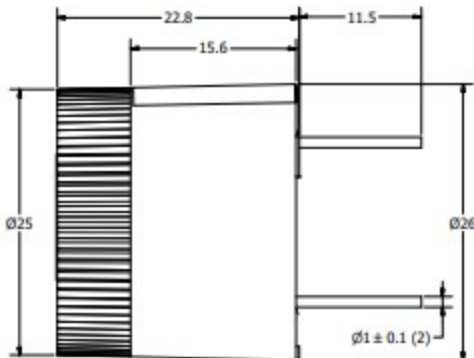
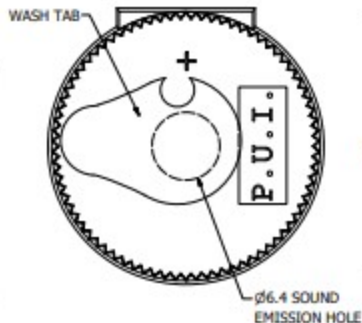
SPECIFICATIONS

PARAMETERS	VALUES	UNITS
RATED VOLTAGE	12	Vdc
OPERATING VOLTAGE RANGE	5 ~ 14	Vdc
RATED CURRENT (MAX)	35	mA
MINIMUM SPL @ 10 CM	107	dBa
RESONANT FREQUENCY	2,900 ± 500	Hz
tone OR PULSE RATE	CONTINUOUS	0 pulse/sec
OPERATING TEMPERATURE	-40 ~ +85	°C
STORAGE TEMPERATURE	-40 ~ +85	°C
HOUSING MATERIAL	PC	-
TERMINAL MATERIAL	Sn PLATED COPPER	-
WEIGHT	11.5	grams

THIS DOCUMENT CONTAINS DATA PROPRIETARY TO PROJECTS UNLIMITED, INC. ANY USE OR REPRODUCTION, IN ANY FORM, WITHOUT PRIOR WRITTEN PERMISSION OF PROJECTS UNLIMITED, INC. IS PROHIBITED. ©2007, Projects Unlimited Inc.

REVISION HISTORY

LTR	DESCRIPTION	DATE	APPROVED
-	RELEASED FROM ENGINEERING	12/28/2007	
A	REVISED STORAGE & OPERATING TEMPERATURES	10/23/2008	B.R.
B	ADDED POSITIVE TERMINAL INDICATOR	1/14/2008	B.R.
C	REVISED TO INVENTOR 3-D DRAWING TEMPLATE	4/27/2010	B.R.
D	REVISED WEIGHT	2/26/2020	M.V.



NOTES:

- ALL DIMENSIONS ARE IN MILLIMETERS.
- SPECIFICATIONS SUBJECT TO CHANGE OR WITHDRAWL WITHOUT NOTICE.
- THIS PART IS RoHS 2002/95/EC COMPLIANT.

UNLESS OTHERWISE SPECIFIED:	DESIGNED BY	DATE	CHECKED BY	DATE	APPROVED BY	DATE	DRAWN DATE	
SIZE	J.A.F.	1/26/2006	E.P.	1/26/2006	B.R.	1/26/2006	4/27/2010	
A3			X-2629-TWT-R					
			Indicator				Issue	Sheet
X-2629-TWT-R.dwg					-	1 / 1		