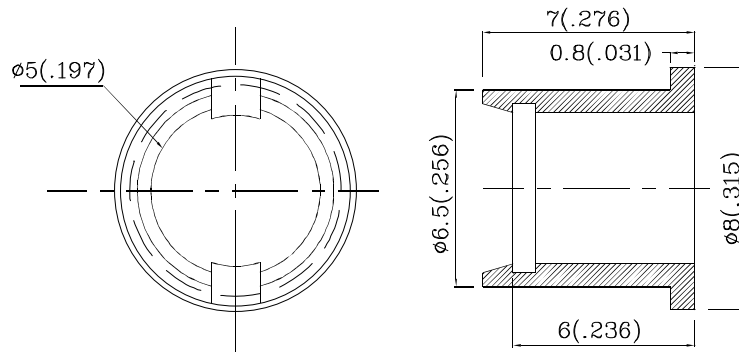




### Features

- Suitable for back panel illumination, circuit board indicator, LED indicator.
- UL rating : 94V-0.
- Housing material: type 66 nylon.
- Recommended hole size:  $\Phi$  6.5mm.
- RoHS compliant.



#### Notes:

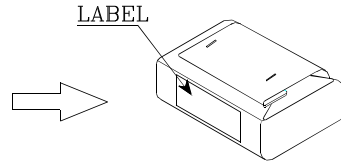
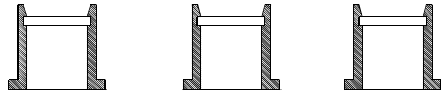
1. All dimensions are in millimeters (inches).
2. Tolerance is  $\pm 0.25(0.01)$ " unless otherwise noted.
3. Specifications are subject to change without notice.



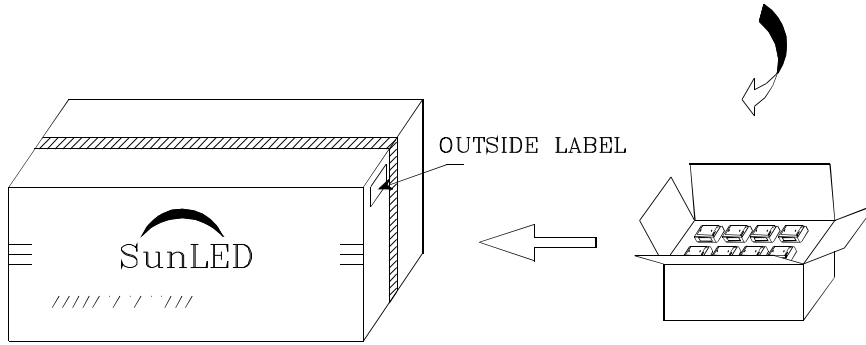


**PACKING & LABEL SPECIFICATIONS**

**XRTC51**

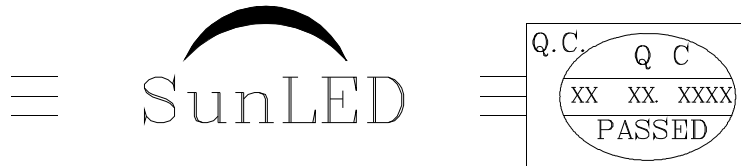



1000 PCS/BAG



40K/BOX

20K/BOX



P/NO : XRTC51	
QTY : 1000 pcs	CODE: XXX
S/N : XX	
LOT NO :	
 XXXXXXXXXXXXXXXXXXXXXXXXXXXX	
RoHS Compliant	