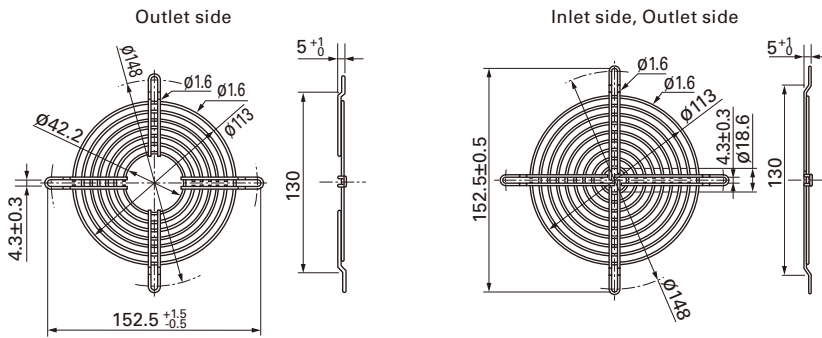


Finger guards Dimensions (unit: mm)

Increases safety by preventing foreign objects from entering fans. Fans can be used with little effect on airflow and static pressure. For use in environments subject to water splashes, cation electroplating models are recommended.

120 mm sq. type

Model no.	Surface treatment	Mass (g)	Model no.	Surface treatment	Mass (g)
109-019C	Nickel-chrome plating (silver)	32	109-019E	Nickel-chrome plating (silver)	42
109-019H	Cation electroplating (black)		109-019K	Cation electroplating (black)	



Mounting example

Axial fan

