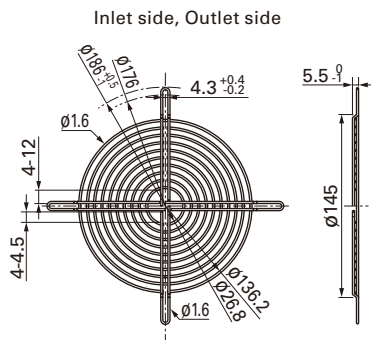


## Finger guards Dimensions (unit: mm)

Increases safety by preventing foreign objects from entering fans. Fans can be used with little effect on airflow and static pressure. For use in environments subject to water splashes, cation electroplating models are recommended.

### 140 mm sq. type

Model no.	Surface treatment	Mass (g)
109-719	Nickel-chrome plating (silver)	51
109-719H	Cation electroplating (black)	



## Mounting example

### Axial fan

